

# ROITHNER LASERTECHNIK

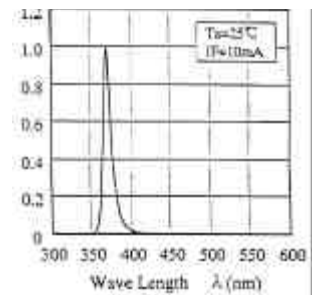
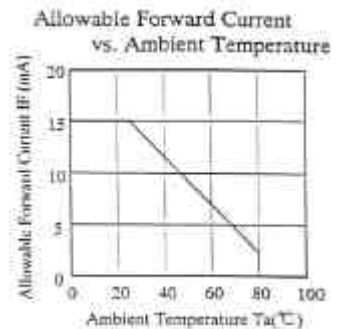
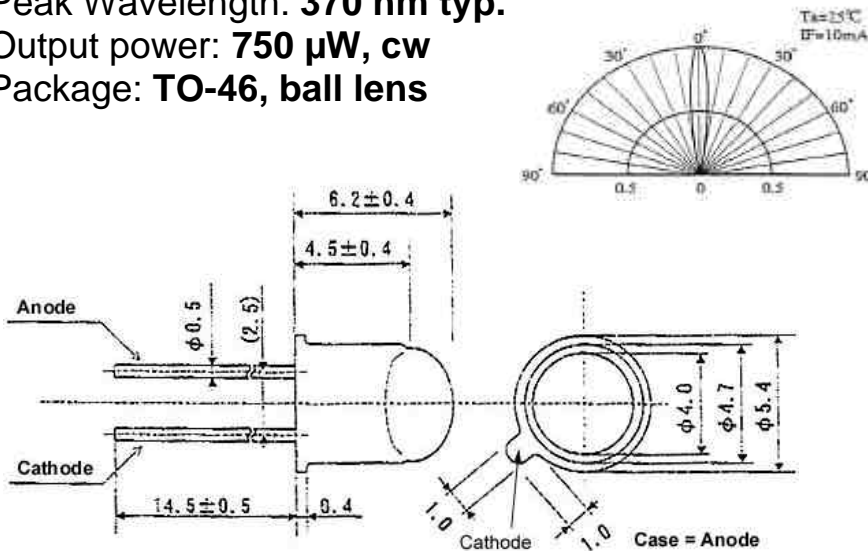
A-1040 WIEN, FLEISCHMANNGASSE 9  
 TEL: +43 -1- 586 52 43 FAX: +43 -1- 586 41 43  
 e-mail: rlt@mcb.at http://www.roithner.mcb.at

## NSHU590E TECHNICAL DATA



### UV LED

Peak Wavelength: 370 nm typ.  
 Output power: 750  $\mu\text{W}$ , cw  
 Package: TO-46, ball lens



#### Absolute Maximum Ratings (Tc=25°C)

CHARACTERISTIC	SYMBOL	RATING	UNIT
DC Forward Current	$I_F$	15	mA
Pulse Forward Current *)	$I_{FP}$	30	mA
Allowable Reverse Current	$I_R$	85	mA
Power Dissipation	$P_D$	60	mW
Operating Temperature	$T_{OP}$	-30 .. +80	°C
Storage Temperature	$T_{STG}$	-40 .. +100	°C

\*) Pulse width  $\leq 10$  ms, duty cycle  $\leq 0.1$

#### Optical-Electrical Characteristics (Tc = 25°C)

CHARACTERISTIC	SYMBOL	TEST CONDITION	MIN	TYP	MAX	UNIT
DC Forward Voltage	$V_F$	$I_F = 10$ mA	-	3.9	-	V
Optical Power	$P_O$	$I_F = 10$ mA	-	750	-	$\mu\text{W}$
Peak Wavelength	$\lambda_P$	$I_F = 10$ mA	-	370	-	nm
Spectrum Half Width	$\Delta\lambda$	$I_F = 10$ mA	-	12	-	nm
Divergence	$\theta$	$I_F = 10$ mA	-	10	-	°

**CAUTION**

- The UV LED during operation radiates intense UV light.
- Do not look directly into the UV light during operation of device. This can be harmful to the eyes even for brief period due to the intense UV light.
- If viewing the UV light is necessary, please use UV filtered glasses to avoid damage by the UV light.
- If the UV LED in your product might be viewed directly, please affix a caution label to your product to that effect.

Avoid direct eye exposure to UV light.  
Keep out of reach of children.