

ROITHNER LASERTECHNIK

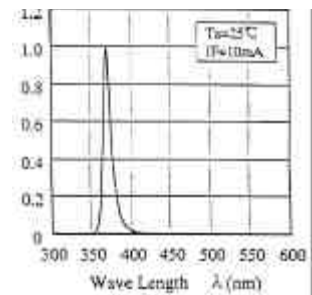
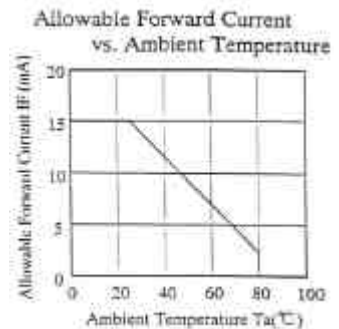
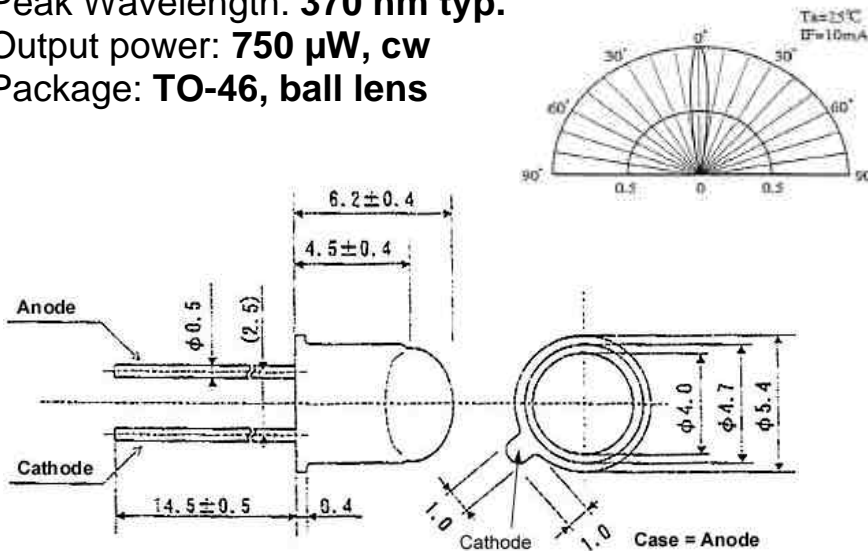
A-1040 WIEN, FLEISCHMANGASSE 9
 TEL: +43 -1- 586 52 43 FAX: +43 -1- 586 41 43
 e-mail: rlt@mcb.at http://www.roithner.mcb.at

NSHU590E TECHNICAL DATA



UV LED

Peak Wavelength: **370 nm typ.**
 Output power: **750 μW, cw**
 Package: **TO-46, ball lens**



Absolute Maximum Ratings (Tc=25°C)

| CHARACTERISTIC | SYMBOL | RATING | UNIT |
|---------------------------|-----------|-------------|------|
| DC Forward Current | I_F | 15 | mA |
| Pulse Forward Current *) | I_{FP} | 30 | mA |
| Allowable Reverse Current | I_R | 85 | mA |
| Power Dissipation | P_D | 60 | mW |
| Operating Temperature | T_{OP} | -30 .. +80 | °C |
| Storage Temperature | T_{STG} | -40 .. +100 | °C |

*) Pulse width ≤ 10 ms, duty cycle ≤ 0.1

Optical-Electrical Characteristics (Tc = 25°C)

| CHARACTERISTIC | SYMBOL | TEST CONDITION | MIN | TYP | MAX | UNIT |
|---------------------|-----------------|----------------|-----|-----|-----|------|
| DC Forward Voltage | V_F | $I_F = 10$ mA | - | 3.9 | - | V |
| Optical Power | P_O | $I_F = 10$ mA | - | 750 | - | μW |
| Peak Wavelength | λ_P | $I_F = 10$ mA | - | 370 | - | nm |
| Spectrum Half Width | $\Delta\lambda$ | $I_F = 10$ mA | - | 12 | - | nm |
| Divergence | θ | $I_F = 10$ mA | - | 10 | - | ° |



CAUTION

- The UV LED during operation radiates intense UV light.
- Do not look directly into the UV light during operation of device. This can be harmful to the eyes even for brief period due to the intense UV light.
- If viewing the UV light is necessary, please use UV filtered glasses to avoid damage by the UV light.
- If the UV LED in your product might be viewed directly, please affix a caution label to your product to that effect.

Avoid direct eye exposure to UV light.
Keep out of reach of children.